

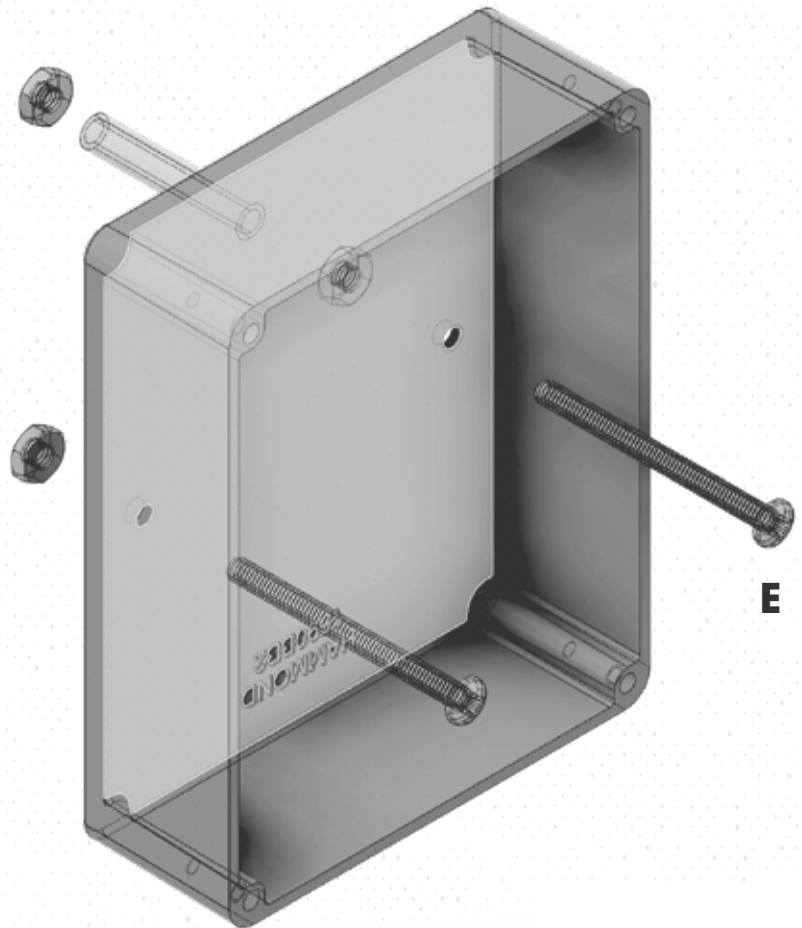
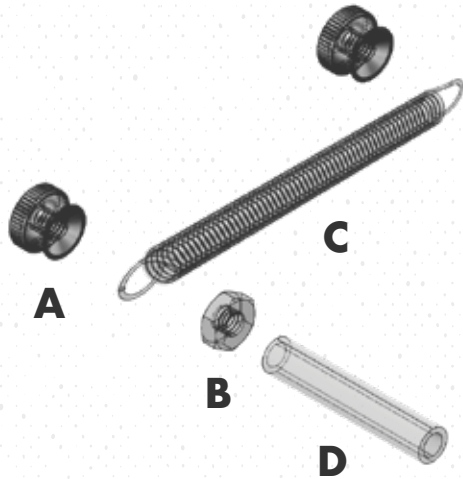


SOLDER DISPENSER

TOOLS NEEDED

#2 Phillips Head Screwdriver

11/32 or 9mm Wrench



INCLUDED MATERIALS

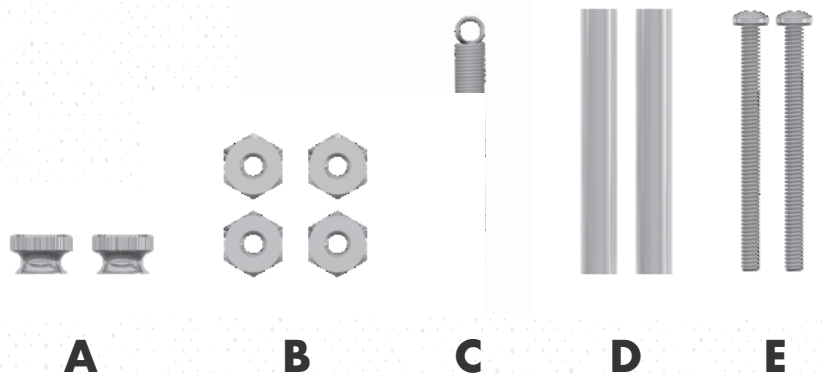
A THUMB SCREW (2)

B HEX NUT (4)

C SPRING (1)

D SPACER (2)

E SCREW (2)



DIY

BY COPPER SOUND PEDALS